

# DYNAMIC AGM

595901085K262



**Vehicles with Start-Stop technology and electric vehicles with advanced energy needs.**

The VARTA Dynamic AGM delivers ultimate performance, boasting three times the cycle life of conventional batteries. It's the best performance for vehicles with highest energy demands, including those with Start-Stop functionality or the latest electric vehicles.

## VEHICLE KEY BENEFITS



**xEV ready**

Ensuring safety and reliability for all current and future vehicle demands.



**Start-Stop**

Best start-stop performance for maximum fuel economy – as the start-stop-system can be operated as often as possible.



**3x cycle life**

3x cycle life compared with a conventional battery.



**Highest energy demands**

Best performance for high-energy Start-Stop and multiple types of electric vehicles.



**Original equipment spare part**

Meets all OE criteria from the vehicle manufacturer.



**Made in Germany**

High quality, best-in-class manufacturing.



**Maintenance-free**

Maintenance-free battery designed to deliver dependable performance for your vehicle.

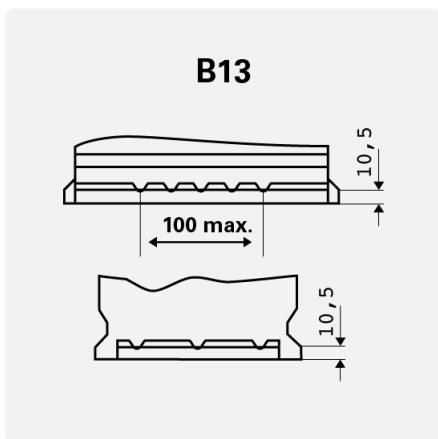
# DYNAMIC AGM

595901085K262

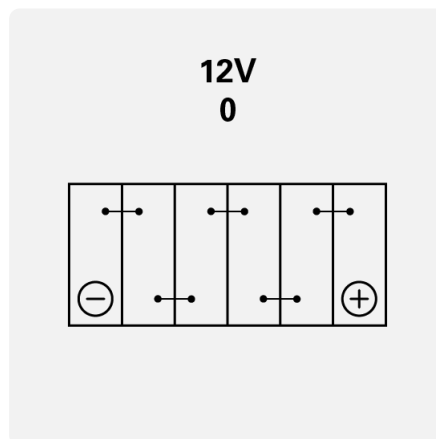
## TECHNICAL DATA

Capacity:	<b>95 Ah</b>	CCA:	<b>850 A</b>
Voltage:	<b>12 V</b>	Dimensions (L/W/H):	<b>353/175/190</b>
Case Size:	<b>H8/L5</b>	Short Code:	<b>A5</b>
UK-Code:	<b>019AGM</b>	ETN:	<b>595901085</b>
Weight filled:	<b>26,4 kg</b>	Base Hold-down:	<b>B13</b>
Layout:	<b>0</b>	Terminal Type:	<b>1</b>

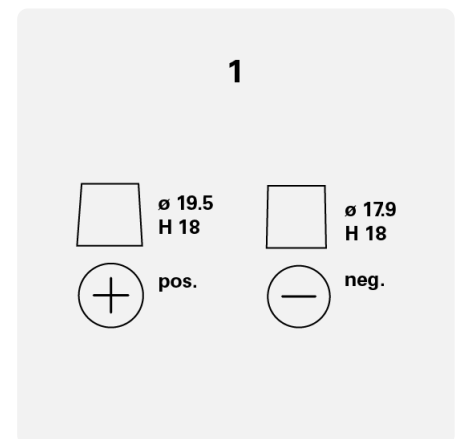
## DRAWINGS



Base Hold-down



Layout



Terminal Type